





Interfaces



Data Sheet **MiniFEB**

	CONTENT
	<i>System Overview</i>
	<i>Technical Data</i>
	<i>Illustrations and Figures</i>



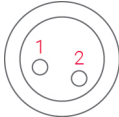


System Overview

One single MiniFEB (Front End Board) allows the operation of 3 sensors parallel. The MiniFEB has an TCP/IP output protocol and can be used for many channel systems by combining with a switch. A backplane can be used for power supply and synchronisation of all MiniFEB boards.



Technical Data MiniFEB

Height	45 mm
Width	70 mm
Depth	135 mm
Weight	0.25 kg
Power supply	12 VDC
Maximum power consumption	10 W
Output data rate	20 / 500 / 10'000 Hz
Number of input channels	1–3
Computer interface	TCP/IP
Sensor interface connector type	Fischer, S101 A004 \varnothing 3.0
Power connector type	Binder Series 710  Pin 1: + 12 V Pin 2: gnd



Illustrations and Figures



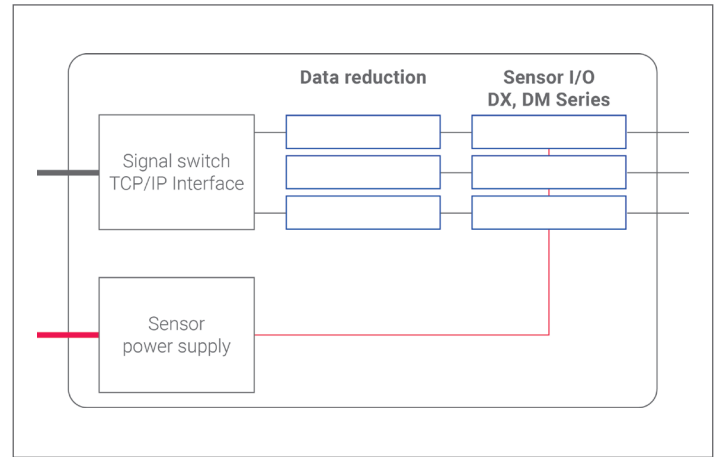
MiniFEB with power supply and coaxial cable (included)



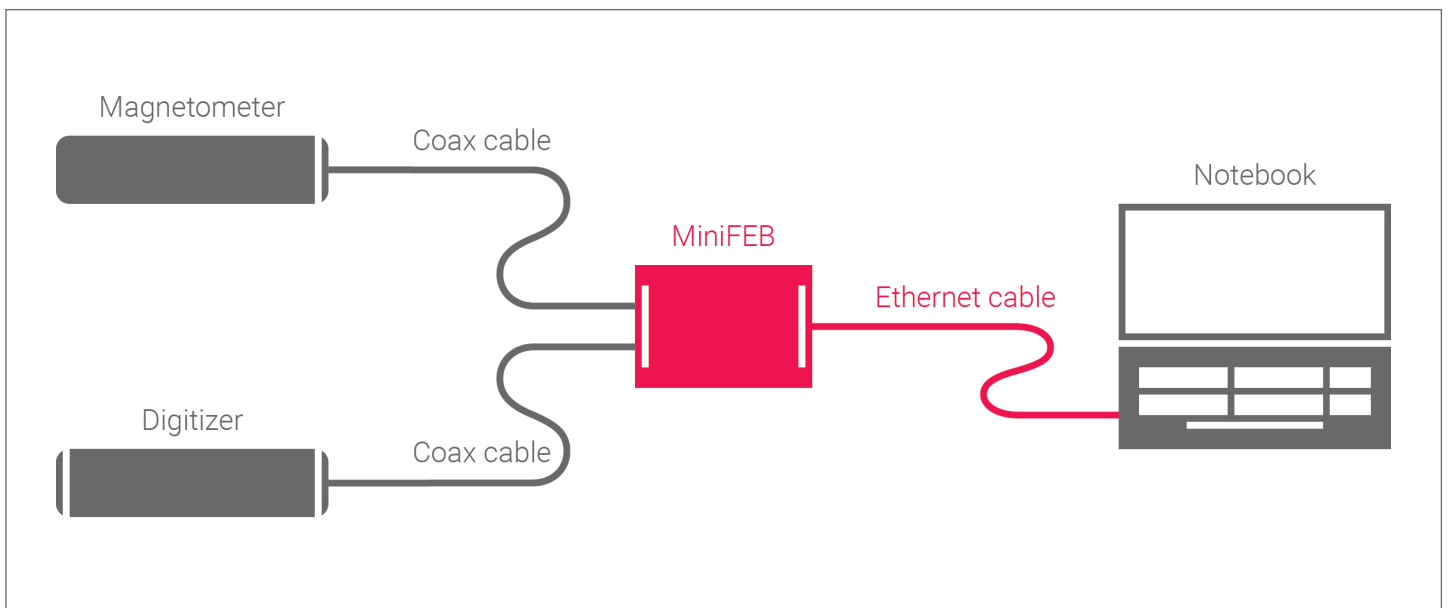
TCP/IP interface and power connection



Sideview MiniFEB



Functional overview



Component scheme